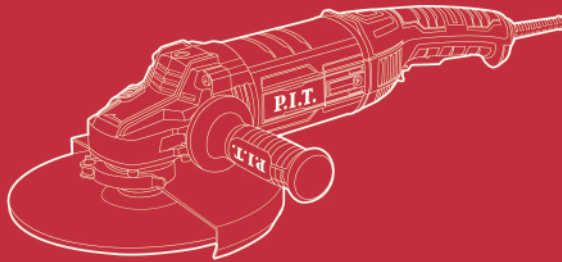


# P.I.T.

## PWS230-C3



### ANGLE GRINDER

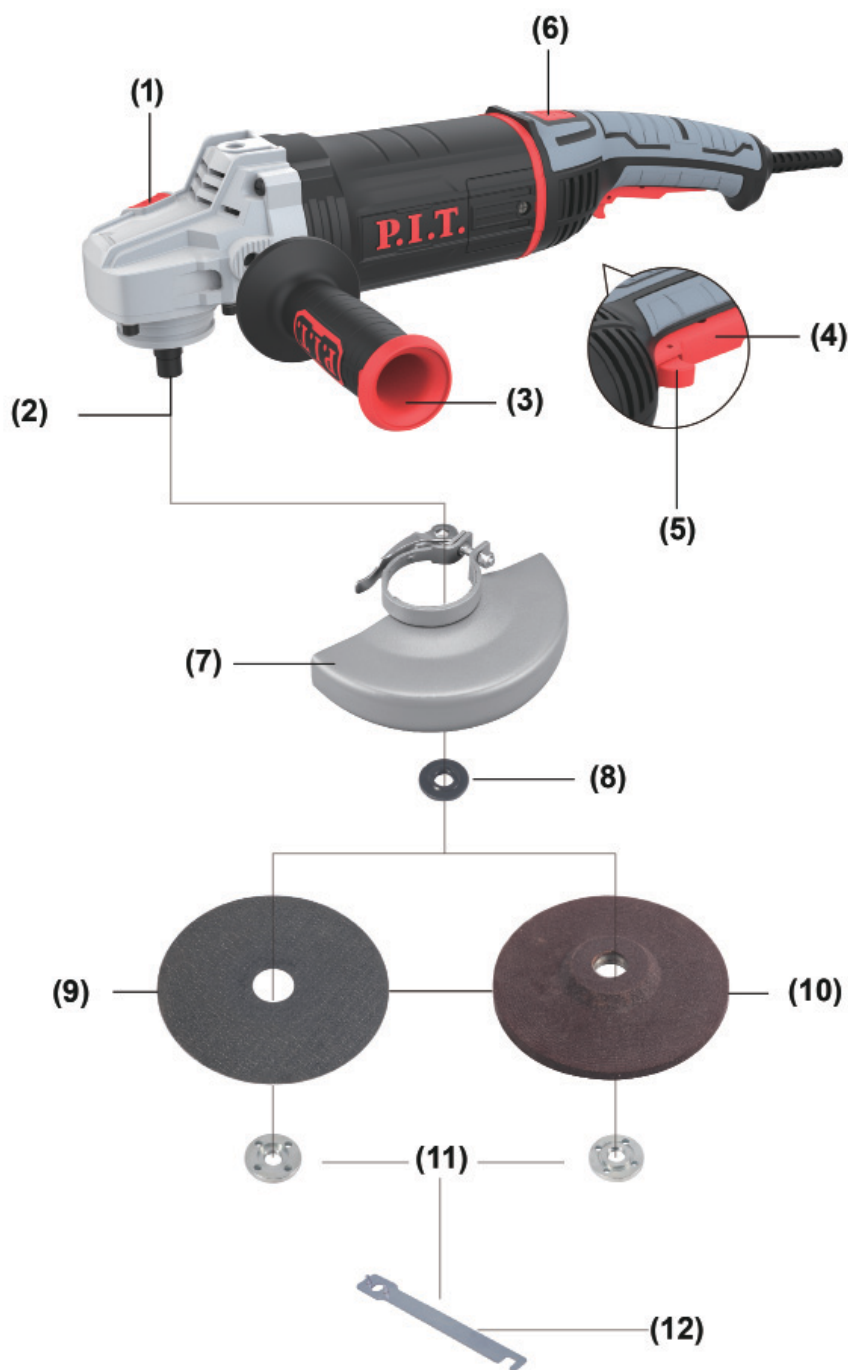
УГЛОВАЯ ШЛИФОВАЛЬНАЯ МАШИНА

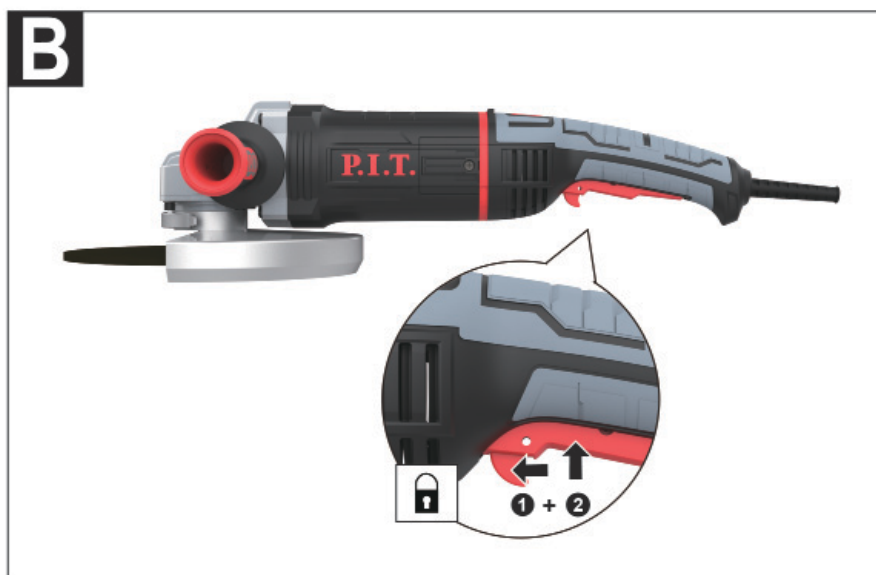
**2400W**

**Powerful  
Efficient**

Please read the instruction manual carefully before use!







## English

### Safety instructions

#### General Power Tool Safety Warnings



**WARNING** Read all safety warnings and all instructions.

Failure to follow the warnings and instructions may result in electric shock, fire and/or serious injury.

**Save all warnings and instructions for future reference.** The term "power tool" in the warnings refers to your mains-operated (corded) power tool or battery-operated (cordless) power tool.

### Work area safety

- ▶ **Keep work area clean and well-lit.** Cluttered or dark areas invite accidents.
- ▶ **Do not operate power tools in explosive atmospheres, such as in the presence of flammable liquids, gases or dust.** Power tools create sparks which may ignite the dust or fumes.
- ▶ **Keep children and bystanders away while operating a power tool.** Distractions can cause you to lose control.

### Electrical safety

- ▶ **Power tool plugs must match the outlet. Never modify the plug in any way. Do not use any adapter plugs with earthed (grounded) power tools.** Unmodified plugs and matching outlets will reduce risk of electric shock.
- ▶ **Avoid body contact with earthed or grounded surfaces, such as pipes, radiators, ranges and refrigerators.** There is an increased risk of electric shock if your body is earthed or grounded.
- ▶ **Do not expose power tools to rain or wet conditions.** Water entering a power tool will increase the risk of electric shock.
- ▶ **Do not abuse the cord. Never use the cord for carrying, pulling or unplugging the power tool. Keep cord away from heat, oil, sharp edges or moving parts.** Damaged or entangled cords increase the risk of electric shock.
- ▶ **When operating a power tool outdoors, use an extension cord suitable for outdoor use.** Use of a cord suitable for outdoor use reduces the risk of electric shock..
- ▶ **If operating a power tool in a damp location is unavoidable, use a residual current device (RCD) protected supply.** Use of an RCD reduces the risk of electric shock.

### Personal safety

- ▶ **Stay alert, watch what you are doing and use common sense when operating a power tool. Do not use a power tool while you are tired or under the influence of drugs, alcohol or medication.** A moment of inattention while operating power tools may result in serious personal injury.
- ▶ **Use personal protective equipment. Always wear eye protection.** Protective equipment such as dust mask, non-skid safety shoes, hard hat, or hearing protection used for appropriate conditions will reduce personal injuries.
- ▶ **Prevent unintentional starting. Ensure the switch is in the off-position before connecting to power source and/or battery pack, picking up or carrying the tool.** Carrying power tools with your finger on the switch or energising power tools that have the switch on invites accidents.
- ▶ **Remove any adjusting key or wrench before turning the power tool on.** A wrench or a key left attached to a rotating part of the power tool may result in personal injury.
- ▶ **Do not overreach. Keep proper footing and balance at all times.** This enables better control of the power tool in unexpected situations.
- ▶ **Dress properly. Do not wear loose clothing or jewellery. Keep your hair, clothing and gloves away from moving parts.** Loose clothes, jewellery or long hair can be caught in moving parts.
- ▶ **A good knowledge of power tools resulting from frequent use should not lead to overconfidence and neglect of power tool safety.** One careless action in a split second can result in serious injury.
- ▶ **If devices are provided for the connection of dust extraction and collection facilities, ensure these are connected and properly used.** Use of dust collection can reduce dust related hazards.

### Power tool use and care

- ▶ **Do not force the power tool. Use the correct power tool for your application.** The correct power tool will do the job better and safer at the rate for which it was designed.
- ▶ **Do not use the power tool if the switch does not turn it on and off.** Any power tool that cannot be controlled with the

switch is dangerous and must be repaired.

- ▶ **Disconnect the plug from the power source and/or the battery pack from the power tool before making any adjustments, changing accessories, or storing power tools.** Such preventive safety measures reduce the risk of starting the power tool accidentally.
- ▶ **Store idle power tools out of the reach of children and do not allow persons unfamiliar with the power tool or these instructions to operate the power tool.** Power tools are dangerous in the hands of untrained users.
- ▶ **Maintain power tools. Check for misalignment or binding of moving parts, breakage of parts and any other condition that may affect the power tool's operation. If damaged, have the power tool repaired before use.** Many accidents are caused by poorly maintained power tools.
- ▶ **Keep cutting tools sharp and clean.** Properly maintained cutting tools with sharp cutting edges are less likely to bind and are easier to control.
- ▶ **The appliance is not intended for use by persons (including children) with reduced physical, sensory or mental capabilities or lack of experience or knowledge, unless they are supervised or instructed to use the appliance by a person responsible for their safety.**
- ▶ **Use the power tool, accessories and tool bits etc. in accordance with these instructions, taking into account the working conditions and the work to be performed.** Use of the power tool for operations different from those intended could result in a hazardous situation.

### **Safety Warnings for Angle Grinder Safety Warnings common for Grinding, Sanding, Wire Brushing or Abrasive Cutting Off operations**

- ▶ **This power tool is intended to function as a grinder, sander, wire brush or cut-off tool. Read all safety warnings, instructions, illustrations and specifications provided with this power tool.** Failure to follow all instructions listed below may result in electric shock, fire and/or serious injury.
- ▶ **Operations such as polishing are not recommended to be performed with this power tool.** Operations for which the power tool was not designed may create a

hazard and cause personal injury.

- ▶ **Do not use accessories which are not specifically designed and recommended by the tool manufacturer.** Just because the accessory can be attached to your power tool, it does not assure safe operation.
- ▶ **The rated speed of the accessory must be at least equal to the maximum speed marked on the power tool.** Accessories running faster than their rated speed can break and fly apart.
- ▶ **The outside diameter and the thickness of your accessory must be within the capacity rating of your power tool.** Incorrectly sized accessories cannot be adequately guarded or controlled.
- ▶ **Threaded mounting of accessories must match the grinder spindle thread. For accessories mounted by flanges, the arbour hole of the accessory must fit the locating diameter of the flange.** Accessories that do not match the mounting hardware of the power tool will run out of balance, vibrate excessively and may cause loss of control.
- ▶ **Do not use a damaged accessory. Before each use inspect the accessory such as abrasive wheels for chips and cracks, backing pad for cracks, tear or excess wear, wire brush for loose or cracked wires. If power tool or accessory is dropped, inspect for damage or install an undamaged accessory. After inspecting and installing an accessory, position yourself and bystanders away from the plane of the rotating accessory and run the power tool at maximum no load speed for one minute.** Damaged accessories will normally break apart during this test time.
- ▶ **Wear personal protective equipment. Depending on application, use face shield, safety goggles or safety glasses. As appropriate, wear dust mask, hearing protectors, gloves and workshop apron capable of stopping small abrasive or workpiece fragments.** The eye protection must be capable of stopping flying debris generated by various operations. The dust mask or respirator must be capable of filtering particles generated by your operation. Prolonged exposure to high intensity noise may cause hearing loss.
- ▶ **During the operation of the angle grind-**

**er, the gearbox housing heats up, this is due to the rotation of the conical pair at high speeds.** To avoid getting burned when working with the tool, do not touch the gearbox housing, use protective gloves and an additional handle during operation.

- ▶ **Keep bystanders a safe distance away from work area. Anyone entering the work area must wear personal protective equipment.** Fragments of workpiece or of a broken accessory may fly away and cause injury beyond immediate area of operation.
- ▶ **Hold the power tool by insulated gripping surfaces only, when performing an operation where the cutting accessory may contact hidden wiring or its own cord.** Cutting accessory contacting a "live" wire may make exposed metal parts of the power tool "live" and could give the operator an electric shock.
- ▶ **Position the cord clear of the spinning accessory.** If you lose control, the cord may be cut or snagged and your hand or arm may be pulled into the spinning accessory.
- ▶ **Never lay the power tool down until the accessory has come to a complete stop.** The spinning accessory may grab the surface and pull the power tool out of your control.
- ▶ **Do not run the power tool while carrying it at your side.** Accidental contact with the spinning accessory could snag your clothing, pulling the accessory into your body.
- ▶ **Regularly clean the power tool's air vents.** The motor's fan will draw the dust inside the housing and excessive accumulation of powdered metal may cause electrical hazards.
- ▶ **Do not operate the power tool near flammable materials.** Sparks could ignite these materials.
- ▶ **Do not use accessories that require liquid coolants.** Using water or other liquid coolants may result in electrocution or shock.

### Kickback and Related Warnings

- ▶ Kickback is a sudden reaction to a pinched or snagged rotating wheel, backing pad, brush or any other accessory. Pinching or snagging causes rapid stalling of the rotating accessory which in turn causes the uncontrolled power tool to be forced in the direction opposite of the accessory's rota-

tion at the point of the binding.

For example, if an abrasive wheel is snagged or pinched by the workpiece, the edge of the wheel that is entering into the pinch point can dig into the surface of the material causing the wheel to climb out or kick out. The wheel may either jump toward or away from the operator, depending on direction of the wheel's movement at the point of pinching. Abrasive wheels may also break under these conditions.

Kickback is the result of power tool misuse and/or incorrect operating procedures or conditions and can be avoided by taking proper precautions as given below.

- ▶ **Maintain a firm grip on the power tool and position your body and arm to allow you to resist kickback forces. Always use auxiliary handle, if provided, for maximum control over kickback or torque reaction during start-up.** The operator can control torque reactions or kickback forces, if proper precautions are taken.
- ▶ **Never place your hand near the rotating accessory.** Accessory may kickback over your hand.
- ▶ **Do not position your body in the area where power tool will move if kickback occurs.** Kickback will propel the tool in direction opposite to the wheel's movement at the point of snagging.
- ▶ **Use special care when working corners, sharp edges etc. Avoid bouncing and snagging the accessory.** Corners, sharp edges or bouncing have a tendency to snag the rotating accessory and cause loss of control or kickback.
- ▶ **Do not attach a saw chain wood carving blade or toothed saw blade.** Such blades create frequent kickback and loss of control.

### Safety Warnings specific for Grinding and Abrasive Cutting-Off operations

- ▶ **Use only wheel types that are recommended for your power tool and the specific guard designed for the selected wheel.** Wheels for which the power tool was not designed cannot be adequately guarded and are unsafe.
- ▶ **The grinding surface of centre depressed wheels must be mounted below the plane of the guard lip.** An improperly mounted wheel that projects

through the plane of the guard lip cannot be adequately protected.

- ▶ **The guard must be securely attached to the power tool and positioned for maximum safety, so the least amount of wheel is exposed towards the operator.** The guard helps to protect operator from broken wheel fragments, accidental contact with wheel and sparks that could ignite clothing.
- ▶ **Wheels must be used only for recommended applications. For example: do not grind with the side of cut-off wheel.** Abrasive cut-off wheels are intended for peripheral grinding, side forces applied to these wheels may cause them to shatter.
- ▶ **Always use undamaged wheel flanges that are of correct size and shape for your selected wheel.** Proper wheel flanges support the wheel thus reducing the possibility of wheel breakage. Flanges for cut-off wheels may be different from grinding wheel flanges.
- ▶ **Do not use worn down wheels from larger power tools.** Wheel intended for larger power tool is not suitable for the higher speed of a smaller tool and may burst.

### **Additional Safety Warnings specific for Abrasive Cutting Off operations**

- ▶ **Do not “jam” the cut-off wheel or apply excessive pressure. Do not attempt to make an excessive depth of cut.** Over-stressing the wheel increases the loading and susceptibility to twisting or binding of the wheel in the cut and the possibility of kickback or wheel breakage.
- ▶ **Do not position your body in line with and behind the rotating wheel.** When the wheel, at the point of operation, is moving away from your body, the possible kickback may propel the spinning wheel and the power tool directly at you.
- ▶ **When wheel is binding or when interrupting a cut for any reason, switch off the power tool and hold the power tool motionless until the wheel comes to a complete stop. Never attempt to remove the cut-off wheel from the cut while the wheel is in motion otherwise kickback may occur.** Investigate and take corrective action to eliminate the cause of wheel binding.
- ▶ **Do not restart the cutting operation in**

**the workpiece. Let the wheel reach full speed and carefully reenter the cut.** The wheel may bind, walk up or kickback if the power tool is restarted in the workpiece.

- ▶ **Support panels or any oversized workpiece to minimize the risk of wheel pinching and kickback.** Large workpieces tend to sag under their own weight. Supports must be placed under the workpiece near the line of cut and near the edge of the workpiece on both sides of the wheel.
- ▶ **Use extra caution when making a “pocket cut” into existing walls or other blind areas.** The protruding wheel may cut gas or water pipes, electrical wiring or objects that can cause kickback.

### **Safety Warnings specific for Wire Brushing operations**

- ▶ **Be aware that wire bristles are thrown by the brush even during ordinary operation. Do not overstress the wires by applying excessive load to the brush.** The wire bristles can easily penetrate light clothing and/or skin.
- ▶ **If the use of a guard is recommended for wire brushing, do not allow any interference of the wire wheel or brush with the guard.** Wire wheel or brush may expand in diameter due to work load and centrifugal forces.

### **Additional Safety and Working Instructions**

- ▶ **Use suitable detectors to determine if utility lines are hidden in the work area or call the local utility company for assistance.** Contact with electric lines can lead to fire and electric shock. Damaging a gas line can lead to explosion. Penetrating a water line causes property damage or may cause an electric shock.
  - ▶ **Dust from materials such as lead-containing coatings, some wood types, minerals and metal can be harmful to one’s health and cause allergic reactions, lead to respiratory infections and/or cancer.** Materials containing asbestos may only be worked by specialists.
    - As far as possible, use a dust extraction system suitable for the material.
    - Provide for good ventilation of the working place.
    - It is recommended to wear a P2 filter-class respirator.
- Observe the relevant regulations in your country for the materials to be worked.

- ▶ **Prevent dust accumulation at the work-place.** Dust can easily ignite.
- ▶ After breakage of the grinding disc during operation or damage to the holding fixtures on the protection guard/power tool, the machine must promptly be sent to an after-sales service agent for maintenance. For addresses, see section "After-sales Service and Application Service".
- ▶ **Adjust protection guard in such a manner that sparking toward the operator is prevented.**
- ▶ The tightening tension of the clamp from the protection guard can be changed by loosening or tightening the adjustment screw. Ensure that the protection guard is tightly seated and check regularly.
- ▶ **Do not touch grinding and cutting discs before they have cooled down.** The discs can become very hot while working.
- ▶ **Actuate the spindle lock button only when the grinder spindle is at a standstill.** Otherwise, the machine may become damaged.
- ▶ **After mounting the grinding tool and before switching on, check that the grinding tool is correctly mounted and that it can turn freely. Make sure that the grinding tool does not graze against the protection guard or other parts.**
- ▶ When operating the machine with power from mobile generators, loss of performance or untypical behavior can occur upon switching on.

When not using for extended periods, pull the mains plug out of the socket outlet.

- ▶ **By applying too high application force, the machine can be subject to overload. Overload can lead to overheating and damage of the power tool. After heavily straining the power tool, continue to run it at no-load for several minutes in order to cool it down.**
- ▶ **Do not use the power tool with a cut-off stand.**
- ▶ **Never use a cutting disc for roughing.**
- ▶ **For cutting with bonded abrasives, always use a protection guard for cutting.**
- ▶ **Wear a dust respirator.**
- ▶ **The quick-clamping nut may be used only for grinding or cutting discs. Use only a flawless, undamaged quick-clamping nut.**
- ▶ **When the damping element between main handle and motor housing is damaged, do not continue to use the power**

tool.

- ▶ **Do not continue to use the power tool when the auxiliary handle is damaged. Do not make any changes or modifications to the auxiliary handle.**
- ▶ **When rotating the main handle, always turn it through until it engages – see fig page A.**
- ▶ To save energy, only switch the power tool on when using it.

## Product Description and Specifications



**Read all the safety and general instructions.**

Failure to observe the safety and general instructions may result in electric shock, fire and/or serious injury.

Please observe the illustrations at the beginning of this operating manual.

### Intended use

The machine is intended for roughing metal, stone and ceramic materials. For cutting with bonded abrasives, a special cutting guard (accessory) must be used. When cutting in stone, provide for sufficient dust extraction. Together with the hand guard (accessory), the machine can be used for brushing and grinding/sanding with elastic sanding plates. The machine is suitable only for working without water.

### Product Features

The numbering of the product features refers to the diagram of the power tool on the graphics page.

1. Spindle lock button
2. Grinding spindle
3. Auxiliary handle
4. On/off switch
5. Anti-lock button
6. Handle position lock button
7. Protective guard
8. Mounting flange
9. Cutting disc
10. Grinding disc
11. Clamping nut
12. Wrench

### Technical Data

Model	PWS230-C3
Rated voltage	220 V~/50 Hz
Power	2400 W
Rated speed	6500 r/min
Max. disc diameter	230 mm
Spindle thread	M14



<b>Model</b>	<b>PWS230-C3</b>
Weight	5 kg

## Contents of delivery

Angle grinder	1 pc
Wheel cover	1 pc
Wrench	1 pc
Additional handle	1 pc
Instruction manual	1 pc

## Note

Since the product is constantly being improved, P.I.T. reserves the right to make changes to the specifications and product specifications specified here without prior notice.

## Assembly

### Install protective equipment

- ▶ **Unplug the plug from the socket before performing any operation on the power tool.**

### Protective guard

Place the protective guard on the main journal. Adjust the position of the protective guard to meet the operating requirements. Use a screwdriver to tighten the locking screw to lock the protective guard.

- ▶ **Adjust the protective guard such that sparking in the direction of the operator is prevented.**

### Side handle

- ▶ **Do not operate your power tool without the side handle.** Screw the side handle on the left or right of the machine head depending on how you are working.

Pay attention to the dimensions of the abrasive tools. The diameter of the hole must match that of the hub flange. Do not use an adapter or reducer.



### Dust/Chip Extraction

The dust from materials such as lead paint, some types of wood, minerals and metal can be harmful to human health. Touching or breathing in this dust can trigger allergic reactions and/or cause respiratory illnesses in the user or in people in the near vicinity. Certain dusts, such as oak or beech dust, are classified as carcinogenic, especially in

conjunction with wood treatment additives (chromate, wood preservative). Materials containing asbestos may only be machined by specialists.

- Use a dust extraction system that is suitable for the material wherever possible.
- Provide good ventilation at the workplace.
- It is advisable to wear a P2 filter class breathing mask. The regulations on the material being machined that apply in the country of use must be observed.

- ▶ **Avoid dust accumulation at the workplace.** Dust can easily ignite.

## Operation

### Switch handle mounting positions (Fig. A)

The switch handle can be rotated to either 90° left or right to fit your work needs. First, unplug the tool.

Press the lock button and rotate the switch handle until the lock button automatically lock again. The switch handle will be locked in that position.

### Start-up

When operating the power tool using a mobile generator that does not have sufficient reserve capacity or an adequate voltage control system with inrush current boost converter, loss of performance or atypical behavior may occur upon switch-on.

Please check the suitability of the power generator you are using, particularly with regard to the mains voltage and frequency.

### Switching on/off (Fig. B)

Before plugging in the tool, always check to see that the switch trigger actuates properly and returns to the "OFF" position when released.

To prevent the trigger from being accidentally actuated, a lock lever is provided. To start the tool, push the lock lever in and then pull the trigger. Release the trigger to stop.

- ▶ **Always check abrasive tools before using them. The abrasive tool must be fitted properly and be able to move freely. Carry out a test run for at least one minute with no load. Do not use abrasive tools that are damaged, run untrue or vibrate during use.** Damaged abrasive tools can burst apart and cause injuries.

## Working Advice

- ▶ **Pull the plug out of the socket before carrying out any work on the power tool.**

- ▶ **Clamp the workpiece if it is not secure under its own weight.**
- ▶ **Do not load the power tool so heavily that it comes to a stop.**
- ▶ **If the power tool has been subjected to a heavy load, continue to run it at no-load for several minutes to cool down the accessory.**
- ▶ **Do not use the power tool with a cut-off stand.**
- ▶ **Do not touch grinding and cutting discs until they have cooled down.** The discs can become very hot while working.
- ▶ **Attention: Severe contamination of the internal cavities of the grinder with concrete, brick, ceramic or other abrasive dust is a violation of the operating conditions of the machine and the basis for the seller's refusal of warranty obligations.**

Disconnect the plug from the socket when the power tool is not in use.

## Rough grinding

- ▶ **Never use cutting discs for roughing!**
- At an angle of installation from 30 ° to 40 ° for rough grinding, the best working results are achieved. Drive the power tool with light pressure back and forth. With this approach, the workpiece will not overheat, will not change its color and no tracks will appear on it.

## Maintenance and Cleaning

- ▶ **Unplug the power tool before handling any power tool.**
- ▶ **To ensure quality and safe operation, keep the power tool and ventilation slots clean.**
- ▶ **In extreme working conditions, always use a dust extractor whenever possible. Blow out ventilation slots frequently and connect the tool with a residual current device.** When metalworking occurs, conductive dust can build up inside the power tool. Doing so can damage the protective insulation of the power tool.

Check regularly that all screws are secure. If you find a loose screw, tighten it immediately. Otherwise, you put yourself at risk of injury. Store and handle accessories with care. If it is necessary to change the cord, to avoid a hazard, contact an Authorized P.I.T. Power Tool Service Center.

## Service

- ▶ **Have your power tool repaired only by qualified personnel and only with original replacement parts. This ensures the**

## safety of the power tool.

The list of authorized service centers can be viewed on the official website of P.I.T. by the link: <https://pittools.ru/services/>

## Storage and transportation

During the specified period, store the machine at an ambient temperature of 0 ° C to plus 40 ° C and a relative humidity of no more than 80%.

Products can be transported by any type of closed transport in the manufacturer's packaging or without it, while preserving the product from mechanical damage, atmospheric precipitation. Remove the exchange tool from the power tool before transporting it.

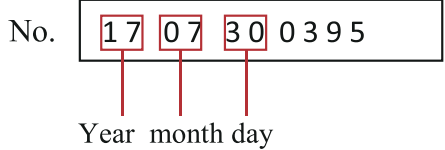
## Dispose of waste

Damaged power tools, batteries, accessories and waste packaging materials must be recycled and reused in an environmentally friendly manner.



Do not throw power tools and accessories / batteries into general household waste!

## Product serial number interpretation



The first and second digits of the product serial number from left to right Year of production, the third and fourth digits indicate the month of production, the fifth and sixth digits indicate the production day.

## TERMS OF WARRANTY SERVICE

1. This Warranty Certificate is the only document that confirms your right to free warranty service. Without presenting this certificate, no claims are accepted. In case of loss or damage, the warranty certificate is not restored.
2. The warranty period for the electric machine is 12 months from the date of sale, during the warranty period the service department eliminates manufacturing defects and replaces parts that have failed due to the fault of the manufacturer free of charge. In the warranty repair, an equivalent operable product is not provided. Replaceable parts become property of service providers. P.I.T is not liable for any damage that may be

caused by operation of the electric machine.

3. Only clean tool accompanied with the following duly executed documents: this Warranty Certificate, Warranty Card, with all fields filled out, bearing the stamp of the trade organization and the signature of the buyer, shall be accepted for warranty repair.

4. Warranty repair is not performed in the following cases:

- in the absence of a Warranty Certificate and a Warranty Card or their incorrect execution;
- with failure of both a rotor and a stator of the electric engine, charring or melting of primary winding of the welding machine transformer, charging or starting-charging device, with internal parts melting, burn down of electronic circuit boards;
- if a Warranty Certificate or a Warranty Card does not correspond to this electric machine or to the form established by the supplier;
- upon expiration of the warranty period;
- at attempts of opening or repair of the electric machine outside the warranty workshop; making constructive changes and lubrication of the tool during the warranty period, as evidenced, for example, by the creases on the spline parts of the fasteners of non-rotational parts.
- when using electric tools for production or other purposes connected with making a profit, as well as in case of malfunctions related to instability of the power network parameters exceeding the norms established by GOST;
- in the events of improper operation (use the electric machine for other than intended purposes, attachments to the electric machine of attachments, accessories, etc. not provided by the manufacturer);
- with mechanical damage to the case, power cord and in case of damages caused by aggressive agents and high and low temperatures, ingress of foreign objects in the ventilation grids of the electric machine, as well as in case of damage resulting from improper storage (corrosion of metal parts);
- natural wear and tear on the parts of the electric machine, as a result of long-term operation (determined on the basis of the signs of full or partial depletion of the specified mean life, great contamination, presence of rust outside and inside the electric machine, waste lubricant in the gearbox);
- use of the tool the purposes for other than specified in the operating instructions.
- mechanical damages to the tool;
- in the event of damages due to non-observed

of the operating conditions specified in the instruction (see chapter "Safety Precautions" of the Manual).

- damage to the product due to non-observance of the rules of storage and transportation.

- in case of severe internal contamination of the tool.

Preventive maintenance of electric machines (cleaning, washing, lubrication, replacement of anthers, piston and sealing rings) during the warranty period is a paid service.

The service life of the product is 3 years. Shelf life is 2 years. It is not recommended for operation after 2 years of storage from the date of manufacture, which is indicated in the serial number on the label of the instrument, without preliminary verification (for the definition of the date of manufacture, see the User's Manual earlier).

The owner is notified of any possible violations of the above terms of warranty service upon completion of diagnostics in the service center.

The owner of the tool entrusts the diagnostic procedure to be conducted in the service center in his absence.

Do not operate the electric machine when there are signs of excessive heat, sparking, or noise in the gearbox. To determine the cause of the malfunction, the buyer should contact the warranty service center.

Malfunctions caused by late replacement of carbon brushes of the engine are eliminated at the expense of the buyer.

5. The warranty does not cover:

- replacement accessories (accessories and components), for example: batteries, discs, blades, drill bits, borers, chucks, chains, sprockets, collet clamps, guide rails, tension and fastening elements, trimming device heads, base of grinding and belt sander machines, hexagonal heads, etc.,
- fast wearing parts, for example: carbon brushes, drive belts, seals, protective covers, guiding rollers, guides, rubber seals, bearings, toothed belts and wheels, shanks, brake belts, starter ratchets and ropes, piston rings, etc. Their replacement during the warranty period is a paid service;
- power cords, in case of damage to the insulation, power cords are subject to mandatory replacement without the consent of the owner (paid service);
- tool case.

## Русский

## Указания по технике безопасности

## Общие указания по технике безопасности для электроинструментов

**ПРЕДУПРЕЖДЕНИЕ**

Прочтите все указания и инструкции по технике безопасности.

Несоблюдение указаний и инструкций по технике безопасности может стать причиной поражения электрическим током, пожара и тяжелых травм.

**Сохраняйте эти инструкции и указания для будущего использования.**

Использованное в настоящих инструкциях и указаниях понятие «электроинструмент» распространяется на электроинструмент с питанием от сети (с сетевым шнуром) и на аккумуляторный электроинструмент (без сетевого шнура).

**Безопасность рабочего места**

- ▶ **Содержите рабочее место в чистоте и хорошо освещенным.** Беспорядок или неосвещенные участки рабочего места могут привести к несчастным случаям.
- ▶ **Не работайте с этим электроинструментом во взрывоопасном помещении, в котором находятся горючие жидкости, воспламеняющиеся газы или пыль.** Электроинструменты искрят, что может привести к воспламенению пыли или паров.
- ▶ **Во время работы с электроинструментом не допускайте близко к Вашему рабочему месту детей и посторонних лиц.** Отвлечшись, Вы можете потерять контроль над электроинструментом.

**Электробезопасность**

- ▶ **Штепсельная вилка электроинструмента должна подходить к штепсельной розетке.** Ни в коем случае не изменяйте штепсельную вилку. Не применяйте переходные штекеры для электроинструментов с защитным заземлением. Неизменные штепсельные вилки и подходящие штепсельные розетки снижают риск поражения электротоком.
- ▶ **Предотвращайте телесный контакт с заземленными поверхностями, как то: с трубами, элементами отопления, кухонными плитами и холодильниками.** При заземлении Вашего тела повы-

шается риск поражения электротоком.

- ▶ **Защищайте электроинструмент от дождя и сырости.** Проникновение воды в электроинструмент повышает риск поражения электротоком.
  - ▶ **Не разрешается использовать шнур не по назначению, например, для транспортировки или подвески электроинструмента, или для вытягивания вилки из штепсельной розетки.** Защищайте шнур от воздействия высоких температур, масла, острых кромок или подвижных частей электроинструмента. Поврежденный или спутанный шнур повышает риск поражения электротоком.
  - ▶ **При работе с электроинструментом под открытым небом применяйте пригодные для этого кабели удлинители.** Применение пригодного для работы под открытым небом кабеля удлинителя снижает риск поражения электротоком.
  - ▶ **Если невозможно избежать применения электроинструмента в сыром помещении, подключайте электроинструмент через устройство защитного отключения.** Применение устройства защитного отключения снижает риск электрического поражения.
- Безопасность людей**
- ▶ **Будьте внимательными, следите за тем, что Вы делаете, и продуманно начинайте работу с электроинструментом.** Не пользуйтесь электроинструментом в усталом состоянии или если Вы находитесь в состоянии наркотического или алкогольного опьянения или под воздействием лекарств. Один момент невнимательности при работе с электроинструментом может привести к серьезным травмам.
  - ▶ **Применяйте средства индивидуальной защиты и всегда защитные очки.** Использование средств индивидуальной защиты, как то: защитной маски, обуви на нескользящей подошве, защитного шлема или средств защиты органов слуха, – в зависимости от вида работы с электроинструментом снижает риск получения травм.
  - ▶ **Предотвращайте непреднамеренное включение электроинструмента.** Перед подключением электроинструмента к электропитанию и/или к аккумулятору убедитесь в выключен-

ном состоянии электроинструмента.

Удержание пальца на выключателе при транспортировке и подключение к сети питания включенного электроинструмента чревато несчастными случаями.

- ▶ **Убирайте установочный инструмент или гаечные ключи до включения электроинструмента.** Инструмент или ключ, находящийся во вращающейся части электроинструмента, может привести к травмам.
- ▶ **Не принимайте неестественное положение корпуса тела. Всегда занимайте устойчивое положение и сохраняйте равновесие.** Благодаря этому Вы можете лучше контролировать электроинструмент в неожиданных ситуациях.
- ▶ **Носите подходящую рабочую одежду. Не носите широкую одежду и украшения.** Держите волосы, одежду и рукавицы вдали от движущихся частей. Широкая одежда, украшения или длинные волосы могут быть затянuty вращающимися частями.
- ▶ **При наличии возможности установки пылеотсасывающих и пылесборных устройств проверяйте их присоединение и правильное использование.** Применение пылеотсоса может снизить опасность, создаваемую пылью.
- ▶ **Хорошее знание электроинструментов, полученное в результате частого их использования, не должно приводить к самоуверенности и игнорированию техники безопасности обращения с электроинструментами.** Одно небрежное действие за долю секунды может привести к серьезным травмам.
- ▶ **ВНИМАНИЕ!** В случае возникновения перебоя в работе электроинструмента вследствие полного или частичного прекращения энергоснабжения или повреждения цепи управления энергоснабжением установите выключатель в положение Выкл., убедившись, что он не заблокирован (при его наличии). Отключите сетевую вилку от розетки или отсоедините съёмный аккумулятор. Этим предотвращается неконтролируемый повторный запуск.

**Применение электроинструмента и обращение с ним**

- ▶ **Не перегружайте электроинструмент.** Используйте для Вашей работы

предназначенный для этого электроинструмент. С подходящим электроинструментом Вы работаете лучше и надежнее в указанном диапазоне мощности.

- ▶ **Не работайте с электроинструментом при неисправном выключателе.** Электроинструмент, который не поддается включению или выключению, опасен и должен быть отремонтирован.
- ▶ **До начала наладки электроинструмента, перед заменой принадлежностей и прекращением работы отключайте штепсельную вилку от розетки сети и/или выньте аккумулятор.** Эта мера предосторожности предотвращает непреднамеренное включение электроинструмента.
- ▶ **Храните электроинструменты в недоступном для детей месте. Не разрешайте пользоваться электроинструментом лицам, которые не знакомы с ним или не читали настоящих инструкций.** Электроинструменты опасны в руках неопытных лиц.
- ▶ **Прибор не предназначен для использования лицами (включая детей) с пониженными физическими, чувственными или умственными способностями или при отсутствии у них опыта или знаний, если они не находятся под контролем или не проинструктированы об использовании прибора лицом, ответственным за их безопасность.**
- ▶ **Тщательно ухаживайте за электроинструментом.** Проверяйте безупречную функцию и ход движущихся частей электроинструмента, отсутствие поломок или повреждений, отрицательно влияющих на функцию электроинструмента. Поврежденные части должны быть отремонтированы до использования электроинструмента. Плохое обслуживание электроинструментов является причиной большого числа несчастных случаев.
- ▶ **Держите режущий инструмент в заточенном и чистом состоянии.** Заботливо ухоженные режущие инструменты с острыми режущими кромокa режут заклиниваются и их легче вести.
- ▶ **Применяйте электроинструмент, принадлежности, рабочие инструменты и т. п. в соответствии с настоящими инструкциями.** Учитывайте при этом

**рабочие условия и выполняемую работу.** Использование электроинструментов для непредусмотренных работ может привести к опасным ситуациям.

- ▶ **Держите ручки и поверхности захвата сухими и чистыми, следите чтобы на них не было жидкой или консистентной смазки.** Скользкие ручки и поверхности захвата препятствуют безопасному обращению с инструментом и не дают надежно контролировать его в непредвиденных ситуациях.

### **Указания по технике безопасности для угловых шлифмашин**

**Общие предупреждающие указания по шлифованию, шлифованию наждачной бумагой, для работ с проволочными щетками и отрезными шлифовальными кругами**

- ▶ **Настоящий электроинструмент предназначен для применения в качестве машины для шлифования абразивными кругами, для работ с проволочной щеткой и в качестве отрезной шлифовальной машины.** Учитывайте все предупреждающие указания, инструкции, иллюстрации и данные, которые Вы получите с электроинструментом. Несоблюдение нижеследующих указаний может привести к поражению электротоком, пожару и/или тяжелым травмам.
- ▶ **Настоящий электроинструмент не пригоден для полирования.** Выполнение работ, для которых настоящий электроинструмент не предусмотрен, может стать причиной опасностей и травм.
- ▶ **Не применяйте принадлежности, которые не предусмотрены изготовителем специально для настоящего электроинструмента и не рекомендуются им.** Одна только возможность крепления принадлежности на Вашем электроинструменте не гарантирует еще их надежное применение.
- ▶ **Допустимое число оборотов рабочего инструмента должно быть не менее указанного на электроинструменте максимального числа оборотов.** Оснастка, вращающаяся с большей, чем допустимо скоростью, может разорваться и разлететься в пространстве.
- ▶ **Наружный диаметр и толщина рабочего инструмента должны соответствовать размерам Вашего**

**электроинструмента.** Неправильно соразмеренные рабочие инструменты не могут быть в достаточной степени защищены и могут выйти из-под контроля.

- ▶ **Сменные рабочие инструменты с резьбой должны точно подходить к резьбе шлифовального шпинделя.** В сменных рабочих инструментах, монтируемых с помощью фланца, диаметр отверстий рабочего инструмента должен подходить к диаметру отверстий во фланце. Сменные рабочие инструменты, которые не точно крепятся на электроинструменте, вращаются неравномерно, очень сильно вибрируют и могут выйти из-под контроля.
- ▶ **Не применяйте поврежденные рабочие инструменты.** Проверяйте каждый раз перед использованием рабочие инструменты, как то, шлифовальные круги, на сколы и трещины, шлифовальные тарелки на трещины, риски или сильный износ, проволочные щетки на незакрепленные или поломанные проволоки. После проверки и закрепления рабочего инструмента Вы и все находящиеся вблизи лица должны занять положение за пределами плоскости вращения рабочего инструмента, после чего включите электроинструмент на одну минуту на максимальное число оборотов.
- ▶ **Применяйте средства индивидуальной защиты.** В зависимости от выполняемой работы применяйте защитный щиток для лица, защитное средство для глаз или защитные очки. Насколько уместно, применяйте противопылевой респиратор, средства защиты органов слуха, защитные перчатки или специальный фартук, которые защищают Вас от абразивных частиц и частиц материала. Глаза должны быть защищены от летающих в воздухе посторонних частиц, которые могут образовываться при выполнении различных работ. Противопылевой респиратор или защитная маска органов дыхания должны задерживать образующуюся при работе пыль. Продолжительное воздействие сильного шума может привести к потере слуха.
- ▶ **Во время работы угловой шлифовальной машины происходит нагрев**

корпуса редуктора, это связано с вращением конической пары при больших оборотах. Во избежании получения ожогов во время работы с инструментом, не прикасайтесь к корпусу редуктора, используйте во время работы защитные перчатки и дополнительную ручку.

- ▶ Следите за тем, чтобы все люди находились на безопасном расстоянии от рабочего участка. Каждый человек в пределах рабочего участка должен иметь средства индивидуальной защиты. Осколки детали или разорванных рабочих инструментов могут отлететь в сторону и стать причиной травм также и за пределами непосредственного рабочего участка.
- ▶ Держите электроинструмент только за изолированные поверхности рукояток, если Вы выполняете работы, при которых рабочий инструмент может попасть на скрытую электропроводку или на собственный сетевой шнур. Контакт с проводкой под напряжением может зарядить металлические части электроинструмента и привести к поражению электротоком.
- ▶ Держите шнур питания в стороне от вращающегося рабочего инструмента. Если Вы потеряете контроль над инструментом, то шнур питания может быть перерезан или захвачен вращающимся рабочим инструментом и Ваша кисть или рука может попасть под вращающийся рабочий инструмент.
- ▶ Никогда не выпускайте электроинструмент из рук, пока рабочий инструмент полностью не остановится. Вращающийся рабочий инструмент может зацепиться за опорную поверхность и в результате Вы можете потерять контроль над электроинструментом.
- ▶ Выключайте электроинструмент при транспортировке. Ваша одежда может быть случайно захвачена вращающимся рабочим инструментом, и рабочий инструмент может нанести Вам травму.
- ▶ Регулярно очищайте вентиляционные прорези Вашего электроинструмента. Вентилятор двигателя затягивает пыль в корпус, и большое скопление металлической пыли может привести к электрической опасности.
- ▶ Не пользуйтесь электроинструментом вблизи горючих материалов. Ис-

кры могут воспламенить эти материалы.

- ▶ Не применяйте рабочие инструменты, требующие применение охлаждающих жидкостей. Применение воды или других охлаждающих жидкостей может привести к поражению электротоком.

### Обратный удар и соответствующие предупреждающие указания

- ▶ Обратный удар – это внезапная реакция в результате заедания или блокирования вращающегося шлифовального круга, шлифовальной тарелки, проволочной щетки и т.д. Заедание или блокирование ведет к резкой остановке вращающегося рабочего инструмента, в результате чего неконтролируемый электроинструмент отбрасывается против направления вращения рабочего инструмента.

Например, если шлифовальный круг заедает или блокируется в заготовке, то погруженная в заготовку кромка шлифовального круга может быть зажата и в результате привести к выскакиванию круга из заготовки или к обратному удару. При этом шлифовальный круг движется на оператора или от него, в зависимости от направления вращения круга на месте блокирования. При этом шлифовальный круг может сломаться.

Обратный удар является следствием неправильного использования электроинструмента или ошибки оператора. Он может быть предотвращен описанными ниже мерами предосторожности.

- ▶ Крепко держите электроинструмент, Ваше тело и руки должны занять положение, в котором Вы можете противодействовать обратным силам. При наличии, всегда применяйте дополнительную рукоятку, чтобы как можно лучше противодействовать обратным силам или реакционным моментам при наборе оборотов. Оператор может подходящими мерами предосторожности противодействовать силам обратного удара и реакционным силам.
- ▶ Никогда не держите руки вблизи вращающегося рабочего инструмента. При обратном ударе рабочий инструмент может отскочить Вам на руку.
- ▶ Держитесь в стороне от участка, куда

при обратном ударе будет перемещаться электроинструмент. Обратный удар перемещает электроинструмент в противоположном направлении к движению шлифовального круга в месте блокирования.

- ▶ **Особенно осторожно работайте на углах, острых кромках и т.д. Предотвращайте отскок рабочего инструмента от заготовки и его заклинивание.** Вращающийся рабочий инструмент склонен к заклиниванию на углах, острых кромках и при отскоке. Это вызывает потерю контроля или обратный удар.
- ▶ **Не применяйте пыльные цепи или пыльные полотна.** Такие рабочие инструменты часто становятся причиной обратного удара или потери контроля над электроинструментом.
- ▶ **Изогнутые шлифовальные круги необходимо монтировать таким образом, чтобы их шлифовальная поверхность не выступала за край защитного кожуха.** Неправильно смонтированный шлифовальный круг, выступающий за край защитного кожуха, не прикрывается достаточным образом.
- ▶ **Защитный кожух необходимо надежно установить на электроинструменте и настроить с максимальным уровнем безопасности таким образом, чтобы в сторону пользователя смотрела как можно меньшая часть неприкрытого абразивного инструмента.** Защитный кожух помогает защитить пользователя от обломков, случайного контакта с абразивным инструментом и искрами, от которых может воспламениться одежда.
- ▶ **Абразивные инструменты допускается применять только для рекомендуемых работ.** Например: **Никогда не шлифуйте боковой поверхностью отрезного круга.** Отрезные круги предназначены для съема материала кромкой. Воздействием боковых сил на этот абразивный инструмент можно сломать его.
- ▶ **Всегда применяйте неповрежденные зажимные фланцы с правильными размерами и формой для выбранного Вами шлифовального круга.** Правильные фланцы являются опорой для шлифовального круга и уменьшают опасность его поломки. Фланцы для отрезных кругов могут отличаться от

фланцев для шлифовальных кругов.

- ▶ **Не применяйте изношенные шлифовальные круги больших электроинструментов.** Шлифовальные круги для больших электроинструментов изготовлены не для высоких скоростей вращения маленьких электроинструментов, и их может разорвать.

### **Дополнительные специальные предупреждающие указания для отрезания шлифовальным кругом**

- ▶ **Предотвращайте блокирование отрезного круга и завышенное усилие прижатия. Не выполняйте слишком глубокие резы.** Перегрузка отрезного круга повышает его нагрузку и склонность к перекашиванию или блокированию и этим возможность обратного удара или поломки абразивного инструмента.
- ▶ **Избегайте зоны перед и за вращающимся отрезным кругом.** Если Вы ведете отрезной круг в заготовке от себя, то в случае обратного удара электроинструмент с вращающимся кругом может отскочить прямо на Вас.
- ▶ **При заклинивании отрезного круга и при перерыве в работе выключайте электроинструмент и держите его спокойно и неподвижно до остановки круга.** Никогда не пытайтесь вынуть еще вращающийся отрезной круг из разреза, так как это может привести к обратному удару. Установите и устраните причину заклинивания.
- ▶ **Не включайте повторно электроинструмент, пока абразивный инструмент находится в заготовке.** Дайте отрезному кругу развить полное число оборотов, перед тем как Вы осторожно продолжите резание. В противном случае круг может заесть, он может выскочить из обрабатываемой заготовки и привести к обратному удару.
- ▶ **Плиты или большие заготовки должны быть надежно подперты, чтобы снизить опасность обратного удара при заклинивании отрезного круга.** Большие заготовки могут прогнуться под собственным весом. Заготовка должна опираться с обеих сторон, как вблизи разреза, так и по краям.
- ▶ **Будьте особенно осторожны при выполнении разрезов в стенах или дру-**



гих местах, куда нельзя заглянуть. Погружающийся отрезной круг может при попадании на газопровод или водопровод, электрическую проводку или другие объекты привести к обратному удару.

### Особые предупреждающие указания для работ с проволочными щетками

- ▶ Учитывайте, что проволочные щетки теряют проволоки также и при нормальной работе. Не перегружайте проволоки чрезмерным усилием прижатия. Отлетающие куски проволоки могут легко проникнуть через тонкую одежду и/или кожу.
- ▶ Если для работы рекомендуется использовать защитный кожух, то исключайте соприкосновение проволочной щетки с кожухом. Тарельчатые и чашечные щетки могут увеличивать свой диаметр под действием усилия прижатия и центрифугальных сил.

### Другие указания по технике безопасности и по работе

- ▶ Используйте соответствующие металлоискатели для нахождения спрятанных в стене труб или проводки или обращайтесь за справкой в местное коммунальное предприятие. Контакт с электропроводкой может привести к пожару и поражению электротоком. Повреждение газопровода может привести к взрыву. Повреждение водопровода ведет к нанесению материального ущерба или может вызвать поражение электротоком.
- ▶ Пыль может нанести вред Вашему здоровью и вызвать аллергические реакции, заболевания дыхательных путей и/или рак.
  - По возможности используйте пригодный для материала пылесос.
  - Хорошо проветривайте рабочее место.
  - Рекомендуется пользоваться респираторной маской с фильтром класса P2.
  - Соблюдайте действующие в Вашей стране предписания для обрабатываемых материалов.
- ▶ Избегайте скопления пыли на рабочем месте. Пыль может легко воспламеняться.
- ▶ Закрепляйте заготовку. Заготовка, установленная в зажимное приспособ-

ление или в тиски, удерживается более надежно, чем в Вашей руке.

- ▶ Устанавливайте защитный кожух таким образом, чтобы он предотвращал полет искр в направлении пользователя.
- ▶ Завинчиванием или вывинчиванием установочного винта Вы можете изменить силу зажима защитного кожуха. Следите за прочным креплением защитного кожуха и регулярно проверяйте его.
- ▶ Не прикасайтесь к шлифовальным и отрезным кругам, пока они не остынут. Круги очень нагреваются во время работы.
- ▶ Нажимайте на кнопку фиксации шпинделя только при остановленном шпинделе! В противном случае электроинструмент может быть поврежден.
- ▶ После монтажа шлифовального инструмента проверьте перед включением правильность монтажа и свободное вращение инструмента. Проверьте свободное вращение шлифовального инструмента без трения о защитный кожух или другие части.
- ▶ При эксплуатации электроинструмента от передвижных электроагрегатов (генераторов) возможна потеря мощности или необычное поведение при включении.
  - Отключайте вилку сети от штепсельной розетки, если Вы не пользуетесь электроинструментом.
- ▶ При слишком сильном нажатии Вы можете перегрузить электроинструмент. Перегрузка может привести к перегреву или повреждению электроинструмента. После сильной нагрузки дайте электроинструменту проработать еще несколько минут на холостом ходу, чтобы он мог остыть.
- ▶ Не используйте электроинструмент на абразивноотрезной станине.
- ▶ Никогда не применяйте отрезные круги для обдирки!
- ▶ При резке с помощью связанных абразивов всегда используйте защитный кожух для отрезания.
- ▶ Применяйте противопылевой респиратор.
- ▶ Используйте быстрозажимную гайку только для шлифовальных и отрезных кругов. Используйте только безупречную, неповрежденную быстро-

зажимную гайку.

- ▶ Не продолжайте пользоваться электроинструментом, если поврежден демпферный элемент между главной рукояткой и корпусом двигателя.
- ▶ Не продолжайте пользоваться электроинструментом, если повреждена дополнительная рукоятка. Не производите никаких изменений на дополнительной рукоятке.
- ▶ При повороте главной рукоятки поворачивайте ее всегда до тех пор, пока она не войдет в зацепление –рис.А.
- ▶ В целях экономии электроэнергии включайте электроинструмент только тогда, когда Вы собираетесь работать с ним.

## Описание продукта и услуг



Прочтите все указания и инструк-

ции по технике безопасности.

Несоблюдение указаний по технике безопасности и инструкций может привести к поражению электрическим током, пожару и/или тяжелым травмам.

Пожалуйста, соблюдайте иллюстрации в начале руководства по эксплуатации.

## Применение по назначению

Угловая шлифовальная машина предназначена для выполнения отрезных, зачистных и шлифовальных работ по металлическим изделиям без подачи воды с помощью шлифовальных или отрезных кругов.

Не допускается выполнять работу машиной по бетону, камню, кирпичу и асбестосодержащим материалам.

Предупреждение : Внимание! Сильное загрязнение внутренних полостей шлифмашины бетонной, кирпичной, керамической или другой абразивной пылью, является нарушением условий эксплуатации машины и основанием для отказа продавца от гарантийных обязательств.

## Устройство шлифовальной машины

Общий вид инструмента представлен на странице с иллюстрациями.

1. Кнопка блокировки шпинделя
2. Шпиндель
3. Дополнительная рукоятка
4. Выключатель
5. Кнопка блокировки выключателя
6. Кнопка поворота ручки
7. Защитный кожух
8. Опорный фланец

9. Режущий диск
10. Шлифовальный диск
11. Зажимной фланец
12. Ключ

## Технические данные

Модель	PWS230-C3
Номинальные напряжение/частота	220 В / 50 Гц
Номинальная мощность	2400 Вт
Номинальное число оборотов	6500 об/мин
Диаметр шлифовального круга, макс	230 мм
Резьба шпинделя	M14
Вес	5 кг

## Комплект поставки

Угловая шлифовальная машина	1 шт
Защитный кожух	1 шт
Ключ	1 шт
Дополнительная рукоятка	1 шт
Инструкция пользователя	1 шт

## Примечание

Так как изделие постоянно совершенствуется, P.I.T. оставляет за собой право на внесение изменений в указанные здесь технические характеристики и комплектацию изделия без предварительного уведомления.

## Сборка

### Монтаж защитных устройств

- ▶ Перед любыми манипуляциями с электроинструментом вынимайте штепсель из розетки.

### Защитный кожух

Установите защитный кожух на посадочное место на корпусе редуктора. Отрегулируйте положение защитного кожуха в соответствии с требованиями рабочего процесса и закрепите его крепежными винтами.

- ▶ Устанавливайте защитный кожух таким образом, чтобы он предотвращал полет искр в направлении пользователя.
- ▶ Для резки с помощью отрезных кругов всегда используйте защитный кожух для резки.

### Дополнительная рукоятка

- ▶ Работайте с электроинструментом только с дополнительной рукояткой.

Привинтите дополнительную рукоятку справа или слева от редукторной головки в зависимости от способа работы.

## Шлифовальный круг/отрезной круг

Примите во внимание размеры шлифовальной оснастки. Диаметр посадочного отверстия должен соответствовать опорному фланцу. Не применяйте адаптеры или переходники.



### Удаление пыли и стружки

Пыль некоторых материалов может быть вредной для здоровья.

Прикосновение к пыли и попадание пыли в дыхательные пути может вызвать аллергические реакции и/или заболевания дыхательных путей оператора или находящегося вблизи персонала.

- По возможности используйте пригодную для материала систему пылеудаления.
- Хорошо проветривайте рабочее место.
- Рекомендуется пользоваться респираторной маской с фильтром класса P2.

Соблюдайте действующие в Вашей стране предписания для обрабатываемых материалов.

- ▶ Избегайте скопления пыли на рабочем месте. Пыль может легко воспламеняться.

### Работа с инструментом

#### Монтажные положения рукоятки переключателя (рис.А)

Рукоятку переключателя можно поворачивать на 90 ° влево или вправо в зависимости от ваших рабочих потребностей. Сначала отключите инструмент от сети.

Нажмите кнопку блокировки и поверните ручку переключателя, пока кнопка блокировки снова не заблокируется автоматически. Ручка переключателя будет заблокирована в этом положении.

#### Включение электроинструмента

При питании электроинструмента от передвижных электрогенераторов, которые не обладают достаточным запасом мощности или не оснащены соответствующим регулятором напряжения с усилением пускового тока, при включении возможно падение мощности или необычное поведение электроинструмента.

Пожалуйста, проверьте пригодность используемого Вами генератора, особенно, в отношении напряжения и частоты сети.

### Включение/выключение

#### ПРЕДУПРЕЖДЕНИЕ:(рис.В)

Перед подключением инструмента всегда проверяйте, что триггерный переключатель срабатывает правильно и возвращается в положение «ВЫКЛ» при отпускании.

Для предотвращения случайного срабатывания спускового крючка предусмотрен рычаг блокировки. Чтобы запустить инструмент, нажмите на рычаг блокировки, а затем нажмите на спусковой крючок. Отпустите курок, чтобы остановиться.

- ▶ Перед началом работы проверьте шлифовальную оснастку. Шлифовальная оснастка должна быть правильно установлена и свободно вращаться. Произведите пробное включение минимум на 1 минуту без нагрузки. Не используйте поврежденную, некруглую или вибрирующую шлифовальную оснастку. Поврежденная шлифовальная оснастка может разрушиться и стать причиной травм.

#### Указания по применению

- ▶ Перед любыми манипуляциями с электроинструментом вытаскивайте штепсель из розетки.
- ▶ Соблюдайте осторожность при шлицевании в несущих стенах.
- ▶ Закрепляйте заготовку, если ее собственный вес не обеспечивает надежное положение.
- ▶ Не нагружайте электроинструмент до его остановки.
- ▶ После сильной нагрузки дайте электроинструменту проработать еще несколько минут на холостом ходу, чтобы он мог остыть.
- ▶ Не прикасайтесь к шлифовальным и отрезным кругам, пока они не остынут. Круги сильно нагреваются во время работы.
- ▶ Не используйте электроинструмент на абразивно отрезной станине.
- ▶ Внимание. Сильное загрязнение внутренних полостей шлифмашины бетонной, кирпичной, керамической или другой абразивной пылью является нарушением условий эксплуатации машины и основанием для отказа продавца от гарантийных обязательств.

**УКАЗАНИЕ:** Извлекайте вилку из розетки,

когда электроинструмент не используется.

## Обдирочное шлифование

- ▶ **Никогда не применяйте отрезные круги для обдирки!**

Под углом установки от 30° до 40° при обдирочном шлифовании достигаются наилучшие результаты работы. Водите электроинструментом, слегка нажимая на него, туда-сюда. При таком подходе обрабатываемая заготовка не будет перегреваться, не изменит своего цвета и на ней не появится дорожек.

## Техобслуживание и сервис

### Техобслуживание и очистка

- ▶ **Перед любыми манипуляциями с электроинструментом вытаскивайте штепсель из розетки.**

- ▶ **Для обеспечения качественной и безопасной работы содержите электроинструмент и вентиляционные прорези в чистоте.**

- ▶ **При экстремальных условиях работы всегда используйте по возможности устройство пылеудаления. Часто продувайте вентиляционные щели и подключайте инструмент через устройство защитного отключения.** При обработке металлов внутри электроинструмента может откладываться токопроводящая пыль. Это может нанести ущерб защитной изоляции электроинструмента.

Регулярно проверяйте надежность крепления всех винтов. При обнаружении ослабленного винта немедленно затяните его. В противном случае Вы подвергаете себя риску получения травмы.

Заботливо храните и обращайтесь с принадлежностями.

Если требуется поменять шнур, во избежание опасности обращайтесь в авторизованную сервисную мастерскую для электроинструментов P.I.T.

## Сервис

- ▶ **Ремонт вашего электроинструмента поручайте только квалифицированному персоналу и только с применением оригинальных запасных частей.** Этим обеспечивается безопасность электроинструмента.

Список авторизованных сервисных центров можно посмотреть на официальном сайте P.I.T. по ссылке: <https://pittools.ru/servises/>

## Хранение и транспортировка

Во время установленного срока храните

машину при температуре окружающей среды от 0°C до плюс 40°C и относительной влажности воздуха не более 80%.

Транспортировать продукцию можно любым видом закрытого транспорта в упаковке производителя или без нее, с сохранением изделия от механических повреждений, атмосферных осадков. Перед транспортировкой извлеките сменный инструмент из электроинструмента.

## Утилизация

Отслужившие свой срок электроинструменты, принадлежности и упаковку следует сдавать на экологически чистую переработку отходов.



Утилизируйте электроинструмент

отдельно от бытового мусора!

## РАСШИФРОВКА ДАТЫ ИЗГОТОВЛЕНИЯ ИЗДЕЛИЯ

№. 

1	7	0	7	3	0	0	3	9	5
---	---	---	---	---	---	---	---	---	---

год    месяц    день

Дата изготовления изделия зашифрована в серийном номере, напечатанном на корпусе инструмента. Первые 2 цифры обозначают год выпуска, следующие 2 цифры – месяц и следующие 2 цифры – день.

## УСЛОВИЯ ГАРАНТИЙНОГО ОБСЛУЖИВАНИЯ

1. Настоящее гарантийное свидетельство является единственным документом, подтверждающим ваше право на бесплатное гарантийное обслуживание. Без предъявления данного свидетельства претензии не принимаются. В случае утери или порчи гарантийного свидетельства не восстанавливается.

2. Гарантийный срок на электроинструмент, а также зарядные устройства и аккумуляторные батареи серии OnePower составляет 12 месяцев со дня продажи, в течение гарантийного срока сервисная служба бесплатно устраняет производственные дефекты и производит замену деталей, вышедших из строя по вине изготовителя. На период гарантийного ремонта эквивалентный исправный инструмент не предоставляется. Заменяемые детали переходят в собственность служб сервиса.

Компания Р.І.Т. не несет ответственности за вред, который может быть причинен при работе с электроинструментом.

3. В гарантийный ремонт инструмент принимается в чистом виде, при обязательном наличии надлежащим образом оформленных документов: настоящего гарантийного свидетельства, гарантийного талона, с полностью заполненными полями, штампом торговой организации и подписью покупателя.

4. Гарантийный ремонт не производится в следующих случаях:

- при отсутствии гарантийного свидетельства и гарантийного талона или неправильном их оформлении;

- при совместном выходе из строя якоря и статора электродвигателя, при обугливание или оплавлении первичной обмотки трансформатора сварочного аппарата, зарядного или пуско-зарядного устройства, при оплавлении внутренних деталей, прожиге электронных плат;

- если гарантийное свидетельство или талон не принадлежат данному электроинструменту или не соответствует установленному поставщиком образцу;

- по истечении срока гарантии;

- при попытках самостоятельного вскрытия или ремонта электроинструмента вне гарантийной мастерской;

- внесения конструктивных изменений и смазки инструмента в гарантийный период, о чем свидетельствуют, например, заломы на шлицевых частях крепежа корпусных деталей.

- при использовании электроинструмента в производственных или иных целях, связанных с получением прибыли, а также при возникновении неисправностей связанных с нестабильностью параметров электросети, превышающих нормы, установленные ГОСТ;

- при неправильной эксплуатации (использование электроинструмента не по назначению, установки на электроинструмент не предназначенных заводом-изготовителем насадок, дополнительных приспособлений и т.п.;

- при механических повреждениях корпуса, сетевого шнура и при повреждениях, вызванных воздействиями агрессивных средств и высоких и низких температур, попадании инородных предметов в вентиляционные решетки электроинструмента, а также при повреждениях, наступивших в

результате неправильного хранения (коррозия металлических частей);

- при естественном износе деталей электроинструмента, в результате длительной эксплуатации (определяется по признакам полной или частичной выработки ресурса, сильного загрязнения, ржавчины снаружи и внутри электроинструмента, отработанной смазки в редукторе);

- использование инструмента не по назначению, указанному в инструкции по эксплуатации.

- при механических повреждениях инструмента;

- при возникновении повреждений в связи с несоблюдением предусмотренных инструкцией условий эксплуатации (см. главу «Указание по технике безопасности» в инструкции).

- повреждение изделия вследствие несоблюдения правил хранения и транспортировки.

- при сильном внутреннем загрязнении инструмента.

Профилактическое обслуживание электроинструмента (чистка, промывка, смазка, замена пыльников, поршневых и уплотнительных колец) в гарантийный период является платной услугой.

Срок службы изделия составляет 3 года. Срок хранения – 2 года. Не рекомендуется к эксплуатации по истечении 2 лет хранения с даты изготовления, которая указана в серийном номере на этикетке инструмента, без предварительной проверки (определенные даты выпуска смотрите ранее в Руководстве пользователя).

О возможных нарушениях, изложенных выше условий гарантийного обслуживания, владельцу сообщается после проведения диагностики в сервисном центре.

Владелец инструмента доверяет проведение диагностики в сервисном центре в свое отсутствие.

Запрещается эксплуатация электроинструмента при проявлении признаков повышенного нагрева, искрения, а также шума в редукторной части. Для выяснения причин неисправности покупателю следует обратиться в гарантийную мастерскую.

Неисправности, вызванные несвоевременной заменой угольных щеток двигателя, устраняются за счет покупателя.

5. Гарантия не распространяется на:

- сменные принадлежности (аксессуары и оснастка), например: аккумуляторы, диски,

ножи, сверла, буры, патроны, цепи, звездочки, цанговые зажимы, шины, элементы натяжения и крепления, головки триммеров, подошвы шлифовальных и ленточных машин, фильтры, головки шестигранные сменные насадки и т.п.

- быстроизнашивающиеся детали, например: угольные щетки, приводные ремни, сальники, защитные кожухи, направляющие ролики, направляющие, резиновые уплотнения, подшипники, зубчатые ремни и колеса, стволы, ленты тормоза, храповики и тросы стартеров, поршневые кольца и т.п.

Замена их в течение гарантийного срока является платной услугой.

-шнуры питания, в случае повреждения изоляции, шнуры питания подлежат обязательной замене без согласия владельца (услуга платная), в т.ч. корпуса инструмента.



**ГАРАНТИЙНОЕ СВИДЕТЕЛЬСТВО НА ИНСТРУМЕНТ P.I.T.**

Наименование изделия \_\_\_\_\_

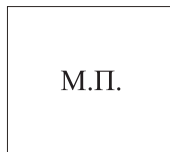
Серийный номер изделия □□□□□□□□□□

Серийный номер зарядного устройства □□□□□□□□□□

Дата продажи « \_\_\_\_ » \_\_\_\_\_

Наименование торговой организации \_\_\_\_\_

Уважаемый покупатель!



Благодарим Вас за покупку инструмента P.I.T. и надеемся, что Вы останетесь довольны своим выбором.

При необходимости обслуживания Вашего изделия обращайтесь в авторизованные сервисные центры P.I.T. Все сервисные центры представлены на сайте [www.pittools.ru](http://www.pittools.ru)

**Внимание!**

При покупке требуйте у продавца проверки работоспособности инструмента и его комплектности, а также заполнения гарантийного свидетельства, гарантийного талона (графы «Заполняются продавцом») и простановки печати торговой организации в гарантийном свидетельстве и гарантийных талонах.

**Гарантия**

На основании данного гарантийного свидетельства компания P.I.T. гарантирует отсутствие дефектов производственного характера.

Если в течение гарантийного срока в Вашем изделии обнаружатся указанные дефекты, то специализированные сервисные центры P.I.T. бесплатно отремонтируют изделие и заменят дефектные запасные части.

Гарантийный срок на электроинструменты P.I.T. составляет 12 месяцев со дня продажи.

«С условиями гарантийного обслуживания ознакомлен(а). Работоспособность и комплектность изделия проверены в моем присутствии. Претензий к качеству и внешнему виду не имею».

Подпись покупателя \_\_\_\_\_ Фамилия (разборчиво)

Телефон \_\_\_\_\_



# P.I.T. WARRANTY CARD

Name _____ Serial Number _____ Sale Date _____ 20__ Date of Receipt from Repair _____ 20__	<b>P.I.T.</b>		<b>№ 1</b>
	Name _____		Place of Seal
	Serial Number _____		
	Sale Date _____ 20__		
	(Filled out by a Seller)		
	WARRANTY REPAIR CARD		
	Date of Acceptance for Repair _____ 20__		
	Application for Repair _____		
	Customer _____		
	Phone (Address) _____		
Cause of Application _____			
Date of Receipt from Repair _____ 20__			
The Tool is checked in my presence _____			
(The Order shall be performed in a Service Center) (Signature)			

Name _____ Serial Number _____ Sale Date _____ 20__ Date of Receipt from Repair _____ 20__	<b>P.I.T.</b>		<b>№ 2</b>
	Name _____		Place of Seal
	Serial Number _____		
	Sale Date _____ 20__		
	(Filled out by a Seller)		
	WARRANTY REPAIR CARD		
	Date of Acceptance for Repair _____ 20__		
	Application for Repair _____		
	Customer _____		
	Phone (Address) _____		
Cause of Application _____			
Date of Receipt from Repair _____ 20__			
The Tool is checked in my presence _____			
(The Order shall be performed in a Service Center) (Signature)			

Name _____ Serial Number _____ Sale Date _____ 20__ Date of Receipt from Repair _____ 20__	<b>P.I.T.</b>		<b>№ 3</b>
	Name _____		Place of Seal
	Serial Number _____		
	Sale Date _____ 20__		
	(Filled out by a Seller)		
	WARRANTY REPAIR CARD		
	Date of Acceptance for Repair _____ 20__		
	Application for Repair _____		
	Customer _____		
	Phone (Address) _____		
Cause of Application _____			
Date of Receipt from Repair _____ 20__			
The Tool is checked in my presence _____			
(The Order shall be performed in a Service Center) (Signature)			

## ГАРАНТИЙНЫЙ ТАЛОН P.I.T.

P.I.T.

Талон № 1

Наименование \_\_\_\_\_  
 Серийный номер \_\_\_\_\_  
 Дата продажи « \_\_\_\_ » \_\_\_\_\_ 20\_\_ Place of Seal  
 (Заполняется продавцом)  
 КАРТА ГАРАНТИЙНОГО РЕМОНА  
 Дата приема ремонт \_\_\_\_\_ 20\_\_  
 Заявка на ремонт \_\_\_\_\_  
 Заказчик \_\_\_\_\_  
 Телефон (адрес) \_\_\_\_\_  
 Причина обращения \_\_\_\_\_  
 Дата получения от ремонта \_\_\_\_\_ 20\_\_  
 Инструмент проверен в моем присутствии \_\_\_\_\_  
 (Заказ заполняется в Сервисном Центре) (Подпись)

Наименование \_\_\_\_\_  
 Серийный номер \_\_\_\_\_  
 Дата продажи \_\_\_\_\_ 20\_\_  
 Дата получения от ремонта \_\_\_\_\_ 20\_\_

P.I.T.

Талон № 2

Наименование \_\_\_\_\_  
 Серийный номер \_\_\_\_\_  
 Дата продажи « \_\_\_\_ » \_\_\_\_\_ 20\_\_ Place of Seal  
 (Заполняется продавцом)  
 КАРТА ГАРАНТИЙНОГО РЕМОНА  
 Дата приема ремонт \_\_\_\_\_ 20\_\_  
 Заявка на ремонт \_\_\_\_\_  
 Заказчик \_\_\_\_\_  
 Телефон (адрес) \_\_\_\_\_  
 Причина обращения \_\_\_\_\_  
 Дата получения от ремонта \_\_\_\_\_ 20\_\_  
 Инструмент проверен в моем присутствии \_\_\_\_\_  
 (Заказ заполняется в Сервисном Центре) (Подпись)

Наименование \_\_\_\_\_  
 Серийный номер \_\_\_\_\_  
 Дата продажи \_\_\_\_\_ 20\_\_  
 Дата получения от ремонта \_\_\_\_\_ 20\_\_

P.I.T.

Талон № 3

Наименование \_\_\_\_\_  
 Серийный номер \_\_\_\_\_  
 Дата продажи « \_\_\_\_ » \_\_\_\_\_ 20\_\_ Place of Seal  
 (Заполняется продавцом)  
 КАРТА ГАРАНТИЙНОГО РЕМОНА  
 Дата приема ремонт \_\_\_\_\_ 20\_\_  
 Заявка на ремонт \_\_\_\_\_  
 Заказчик \_\_\_\_\_  
 Телефон (адрес) \_\_\_\_\_  
 Причина обращения \_\_\_\_\_  
 Дата получения от ремонта \_\_\_\_\_ 20\_\_  
 Инструмент проверен в моем присутствии \_\_\_\_\_  
 (Заказ заполняется в Сервисном Центре) (Подпись)

Наименование \_\_\_\_\_  
 Серийный номер \_\_\_\_\_  
 Дата продажи \_\_\_\_\_ 20\_\_  
 Дата получения от ремонта \_\_\_\_\_ 20\_\_



www.pit-tools.com

# P.I.T.

**Поставщик / производитель:** Xinjiang Longbo Industrial Co., Ltd./Синьцзян Лонгбо Индастриал Ко., Лтд.

**Адрес производства:** Rm. 602, 6th Floor, No. 531, Weixing Road, Economic And Technological Development Zone, Urumqi, Xinjiang, China / Оф.602, 6 этаж, №531, Вейшинг Родд, Экономик Энд Технолоджикал Девелопмент Зон, Урумчи, Синьцзян, Китай

**Импортер/ организация, уполномоченная принимать претензии:** ООО «Турбо-Тулс»

**Юридический адрес:** 117246, г. Москва, ул. Херсонская, 43 - 670

**Вопросы и предложения направляйте по адресу:** 614058, г. Пермь, ул. Фоминская, 36

**Горячая линия по сервисному обслуживанию:**



\*2445 Звонок с мобильного  
бесплатный

[info@pittools.ru](mailto:info@pittools.ru)

Сделано в КНР / Made in China

ERC CE